

SUBMITTAL DATA SHEET	CH-48LCDTUI	CH-48LCUO
-----------------------------	--------------------	------------------

Job Name:
 Location:
 Engineer:
 Submitted to:
 Submitted by:
 Reference:

Date:
 Approval:
 Construction:
 Unit #:
 Drawing #:



LIMITED WARRANTY
7 YEAR COMPRESSOR
5 YEAR PARTS

This warranty should be registered on our web-site www.cooperandhunter.us within 60 days of installation. The warranty is only valid when installed by a Licensed HVAC Technician. A warranty period of Seven (7) years on compressor to the original registered end-user. A warranty period of Five (5) years on all parts to the original registered end user. Warranty applies only to products remaining in their original installation location.

INDOOR SPECIFICATION

Air Flow (Hi/Mi/Lo)	1229/1032/715
Noise Level (Hi/Mi/Lo)	50.5/47/43 dB(A)
Unit Dimension (WxDxH)	47.24x34.41x11.81 in
Net/Gross Weight	119.71/141.76 lb

OUTDOOR SPECIFICATION

Air flow	4470 CFM
Noise Level	62.5 dB(A)
Dimension (WxDxH)	37.48x16.34x52.48 in
Net/Gross weight	217.4/246.0 lb
Refrigerant type/Quantity	R410A/148.2 oz
Refrigerant precharge	25 ft
Additional charge for each ft	0.32 oz

PERFORMANCE AND EFFICIENCY

Cooling		Heating	
48,000 Btu/h		49,500 Btu/h	
SEER	17.4	HSPF	10.3
EER	9.2	Region IV	

Heating/ Cooling	Outdoor Dry Bulb	Indoor Dry Bulb	Unit	Min	Rated	Max
Heating	5°F	70°F	Btu/h	4,090	-	38,733
			kW	1.13	-	5.39
			COP	1.06	-	2.11
	17°F	70°F	Btu/h	7,601	33,400	43,977
			kW	1.13	3.63	5.24
			COP	1.97	2.7	2.46
47°F	70°F	Btu/h	12,858	49,500	61,122	
		kW	0.76	4.12	5.4	
		COP	4.96	3.52	3.32	
Cooling	82°F	80°F	Btu/h	15,745	-	52,580
			kW	0.69	-	4.62
			COP	6.69	-	3.34
	95°F	80°F	Btu/h	12,365	48,000	48,539
			kW	0.9	5.22	5.51
			COP	4.03	2.69	2.58

OPERATION TEMPERATURE RANGE

Indoor		Outdoor	
cooling	heating	cooling	heating
62~90°F	32~86°F	5~122°F	5~86°F

ELECTRICAL

Power supply	208-230V/ 60Hz, 1Ph	
	MCA	35
	MFA	50
Outdoor fan motor	Input	126 W
	RLA	0.39 A
Compressor	Capacity	44,697 Btu/h
	Input	3,420
	RLA	23.5

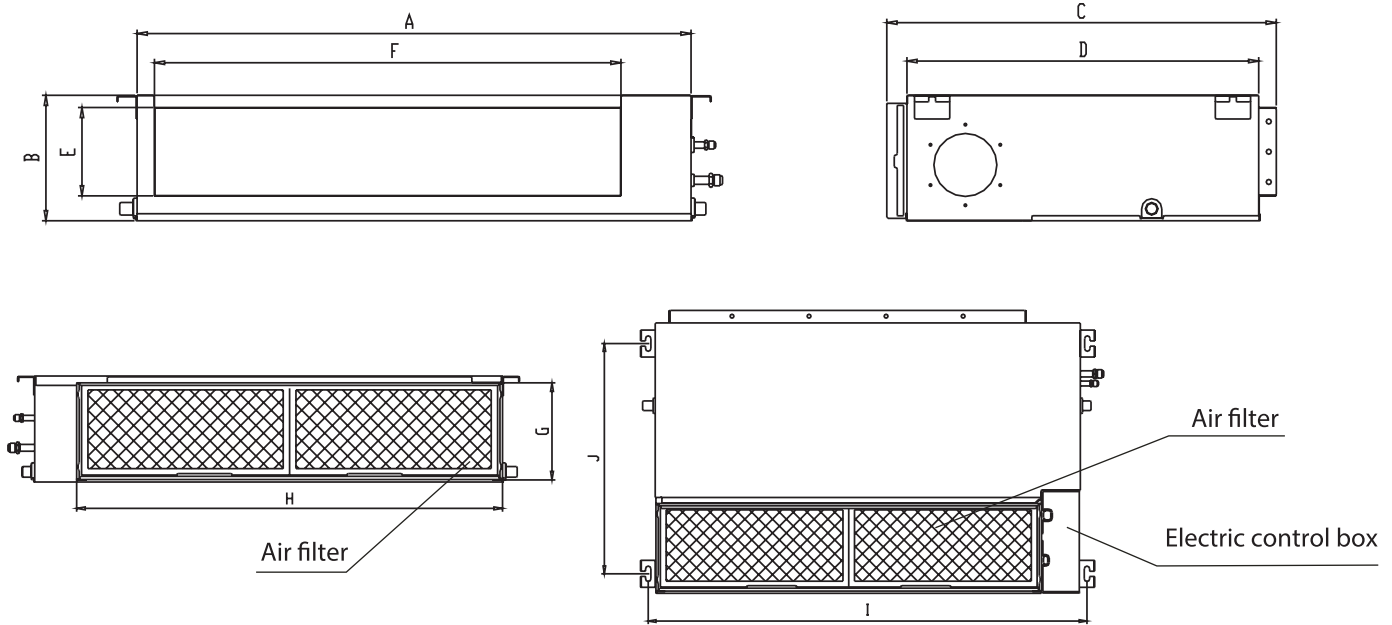
MCA: Minimum Circuit Ampacity **MFA:** Max. fuse A **RLA:** Rated Load

PIPING

Refrigerant piping Liquid side/Gas side	3/8 - 5/8 in
Max. refrigerant pipe length	213 ft
Max. difference in level	98 ft

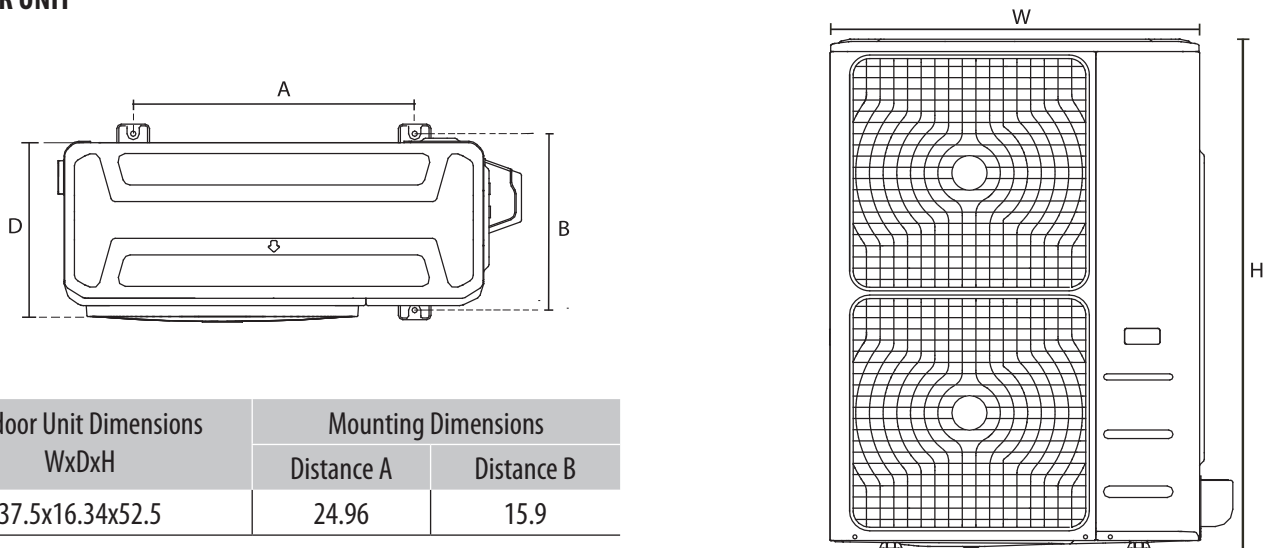
SUBMITTAL DATA SHEET	CH-48LCDTUI	CH-48LCUO
----------------------	-------------	-----------

INDOOR UNIT



Outline dimension				air outlet opening size		air return opening size		Size of mounted lug	
A	B	C	D	E	F	G	H	I	J
47.24	11.81	34.41	31.5	8.9	41.1	11	43.3	48.8	27.4

OUTDOOR UNIT



Outdoor Unit Dimensions WxDxH	Mounting Dimensions	
	Distance A	Distance B
37.5x16.34x52.5	24.96	15.9