

SUBMITTAL DATA SHEET	CH-M09DTUI	CH-HYP09SHP230VO
-----------------------------	-------------------	-------------------------

Job Name:
 Location:
 Engineer:
 Submitted to:
 Submitted by:
 Reference:

Date:
 Approval:
 Construction:
 Unit #:
 Drawing #:



Heating/ Cooling	Outdoor Dry Bulb	Indoor Dry Bulb	Unit	Min	Rated	Max
Heating	5°F	70°F	Btu/h	1,996	-	8,343
			kW	0.54	-	1.18
			COP	1.08	-	2.07
	17°F	70°F	Btu/h	2,125	7,200	11,389
			kW	0.54	0.77	2.14
			COP	1.15	2.74	1.56
	47°F	70°F	Btu/h	4,689	10,000	13,245
			kW	0.26	0.81	1.57
			COP	5.29	3.62	2.47
Cooling	82°F	80°F	Btu/h	4,011	-	10,007
			kW	0.17	-	0.57
			COP	6.91	-	5.15
	95°F	80°F	Btu/h	3,009	9,000	9,823
			kW	0.23	0.67	1.24
			COP	3.83	3.94	2.32

This warranty should be registered on our web-site www.cooperandhunter.us within 60 days of installation. The warranty is only valid when installed by a Licensed HVAC Technician. A warranty period of Seven (7) years on compressor to the original registered end-user. A warranty period of Five (5) years on all parts to the original registered end user. Warranty applies only to products remaining in their original installation location.

INDOOR SPECIFICATION

Air Flow (Hi/Mi/Lo)	353/283/177 CFM
Noise Level (Hi/Mi/Lo)	38/35/32 dB(A)
Unit Dimension (WxDxH)	27.56x19.92x7.87 in
Net/Gross Weight	37.5/48.3 lb

OUTDOOR SPECIFICATION

Air flow	1120 CFM
Noise Level	59 dB(A)
Dimension (WxDxH)	31.5x13.11x21.81 in
Net/Gross weight	88.18/93.7 lb
Refrigerant type/Quantity	R410A/52.9 oz
Refrigerant precharge	25 ft
Additional charge for each ft	0.16 oz

PERFORMANCE AND EFFICIENCY

Cooling		Heating	
9,000 Btu/h		10,000 Btu/h	
SEER	23	HSPF Region IV	12
EER	13.5		

OPERATION TEMPERATURE RANGE

Indoor		Outdoor	
cooling	heating	cooling	heating
62~90°F	32~86°F	-22~122°F	-22~86°F

ELECTRICAL

Power supply	208-230V/ 60Hz, 1Ph
MCA	9 A
MFA	15 A

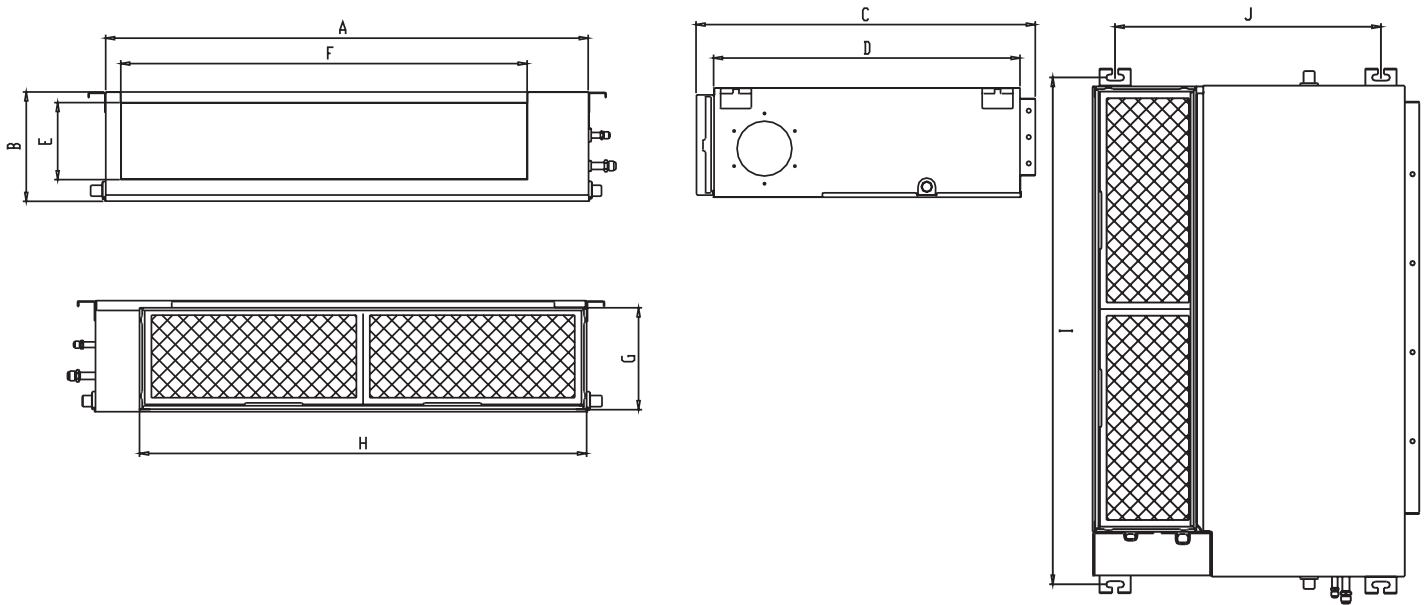
MCA: Minimum Circuit Ampacity **MFA:** Max. fuse A

PIPING

Refrigerant piping Liquid side/Gas side	1/4 - 3/8 in
Max. refrigerant pipe length	82 ft
Max. difference in level	33 ft

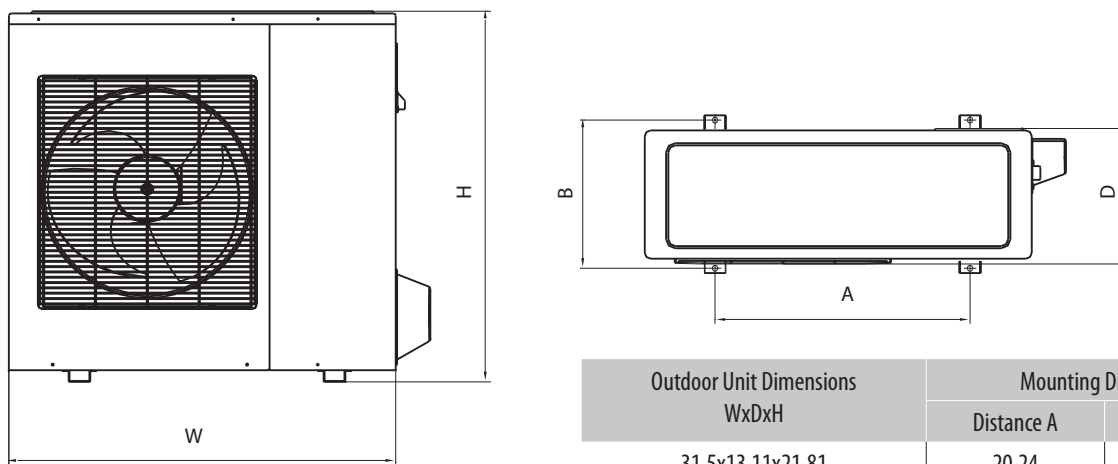
SUBMITTAL DATA SHEET	CH-M09DTUI	CH-HYP09SHP230V0
----------------------	------------	------------------

INDOOR UNIT



Outline dimension				air outlet opening size		air return opening size		Size of mounted lug	
A	B	C	D	E	F	G	H	I	J
27.56	7.87	19.92	17.72	6	21.1	7.3	23.6	29.2	14.2

OUTDOOR UNIT



Outdoor Unit Dimensions WxDxH	Mounting Dimensions	
	Distance A	Distance B
31.5x13.11x21.81	20.24	13.39