

PACKAGED TERMINAL AIR CONDITIONER

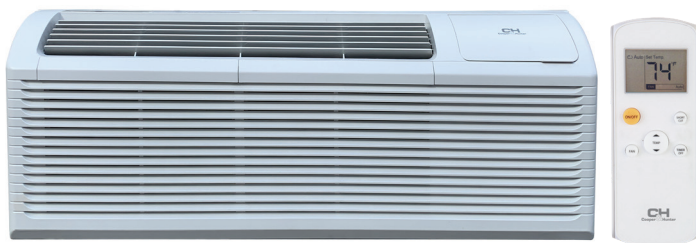
SUBMITTAL DATA SHEET

CH-PTHE15HP

Job Name:
 Location:
 Engineer:
 Submitted to:
 Submitted by:
 Reference:

Date:
 Approval:
 Construction:
 Unit #:
 Drawing #:

PERFORMANCE AND EFFICIENCY



| | | |
|---------------------|---------------|---------------------|
| Cooling | Capacity | 14,700/14,500 Btu/h |
| | EER | 3.11 |
| | Input | 1390/1370 W |
| Heating (PTC) | Capacity | 10,900/8,900 Btu/h |
| | Input(Heater) | 3535/2900 W |
| Heating (Heat pump) | Capacity | 13,500/13,200 Btu/h |
| | Input | 930/905 W |
| | COP | 3.20 |

OPERATION TEMPERATURE RANGE

| Indoor | | Outdoor | |
|---------|---------|----------|---------|
| cooling | heating | cooling | heating |
| 63~90°F | 32~81°F | 64~109°F | 23~75°F |

ELECTRICAL

| | |
|------------------------|---------------------|
| Power supply | 208-230V/ 60Hz, 1Ph |
| Starting current | 47.1 A |
| Indoor side fan motor | |
| Input | 37 W |
| Outdoor side fan motor | |
| Input | 87 W |

This warranty should be registered on our web-site www.cooperandhunter.us within 60 days of installation. The warranty is only valid when installed by a Licensed HVAC Technician. A warranty period of Seven (7) years on compressor to the original registered end-user. A warranty period of Five (5) years on all parts to the original registered end user. Warranty applies only to products remaining in their original installation location.



GENERAL FEATURES

- Auto Restart
- Fresh Air Ventilation
- Digital Temperature Control
- Auto Defrost
- LED Display
- Anti-corrosion Proof Coils
- Gold Fin

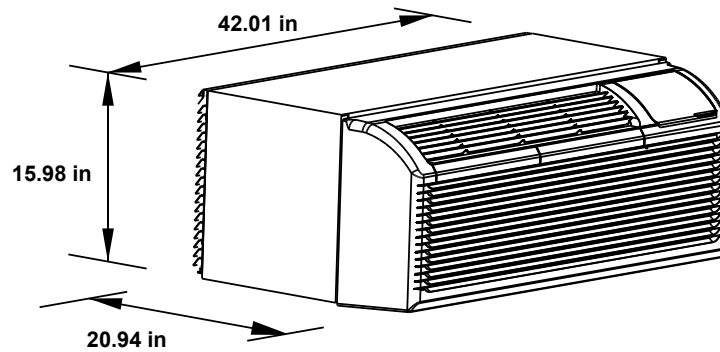
UNIT SPECIFICATION

| | |
|------------------------------------|--------------------------|
| Indoor side air flow (Hi/Mi/Lo) | 373.53/344.71/311.76 CFM |
| Indoor side noise level (Hi/Mi/Lo) | 53/52.5/52 dB(A) |
| Dimension (WxDxH) | 42.01x20.94x15.98 in |
| Net/Gross weight | 116.84/126.54 lb |
| Design pressure | 300/540 psi |
| Refrigerant type/Quantity | R410A/37,04 oz |
| Application area | 215.28-312.15 sp.ft |

SUBMITTAL DATA SHEET

CH-PTHE15HP

Dimension of air conditioner



Dimension of sleeve assembly (optional)

