

SUBMITTAL DATA SHEET



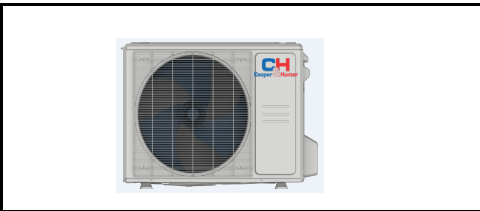
CH-HPR28M230VO

Location: _____
 Engineer: _____
 Submitted to: _____
 Submitted by: _____
 Reference: _____

Approval: _____
 Date: _____
 Construction: _____
 Unit #: _____
 Drawing #: _____

Outdoor unit model **CH-HPR28M230VO**

Certified **UL**



OUTDOOR UNIT DATA

Power supply
 Normal Operational Voltage (V, Ph, Hz) 208/230, 1. 60
 Voltage Range (V) 187-253

Electrical
 Minimum circuit ampacity (A) 25.0
 Max.fuse (A) 40.0

Outdoor fan motor
 Model ZKFN-120-8-2
 Qty 1
 Input (W) 150.0
 RLA (A) -
 Speed (r/min) 1000/900/750

REFRIGERANT PIPE DATA

Design pressure (PSIG) 550/340
 Refrigerant Type (Oz) R410A/134.04
 Refrigerant precharge (ft) 74
 (m) 22.5
 Additional charge for each ft- (oz/ft) 0.161
 Additional charge for each ft- (oz/ft) 0.322
 Liquid side/ Gas side (inch) 3 x 1/4"/3 x 3/8"
 (mm) 3 x ϕ 6.35/3 x ϕ 9.52

Max. length for all rooms (ft) 197
 Max. length for one indoor unit (ft) 98.0
 Max. height difference between (ft) 49
 Max. height difference between (ft) 33

OUTDOOR UNIT DATA

Compressor
 Model KTF310D43UMT
 Type ROTARY
 Brand GMCC
 Capacity (Btu/h) 32380
 Input (W) 2600
 Rated current (RLA) (A) -
 Refrigerant oil/oil charge (ml) VG74/1000
 Throttle Capillary +EXV

Air flow & Noise level

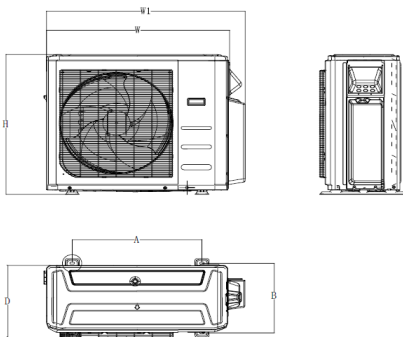
Outdoor air flow (Max.) (CFM) 2147.06
 Outdoor noise level [dB(A)] 63

Outdoor unit

Dimension (W×D×H) (inch) 37.24x16.14x31.89
 (mm) 946x410x810
 Packing (W×D×H) (inch) 42.91x19.69x34.84
 (mm) 1090x500x885
 Net/ Gross weight (lbs.) 167.99/179.67
 (kg) 76.2/81.5

Outdoor(cooling/heating) (Deg. °F) -22~-122/ -22~86
 (Deg. °C) -30~50/ -30~30

Outdoor unit dimension



Model	Unit	W	D	H	W1	A	B
M2OF-18HFN1-M	mm	845	363	702	923	540	350
	inch	33.3	14.3	27.6	36.0	21.3	13.8
M2OA-18HFN1-M	mm	890	342	673	990	663	354
	inch	35.04	13.46	26.50	38.98	26.10	13.94
M2OH-18HFN1-M M3OF-27HFN1-M M2OL-18HFN1-M M3OJ-27HFN1-M M3OL-28HFN1-M	mm	946	410	810	1034	673	403
	inch	37.2	16.5	31.9	40.6	26.5	15.9
M4OF-36HFN1-M M4OG-36HFN1-M	mm	946	410	810	1034	673	403
	inch	37.2	16.5	31.9	40.6	26.5	15.9

24V INTERFACE KIT

