

**CH-HPR48M230VO**

Location: \_\_\_\_\_  
 Engineer: \_\_\_\_\_  
 Submitted to: \_\_\_\_\_  
 Submitted by: \_\_\_\_\_  
 Reference: \_\_\_\_\_

Approval: \_\_\_\_\_  
 Date: \_\_\_\_\_  
 Construction: \_\_\_\_\_  
 Unit #: \_\_\_\_\_  
 Drawing #: \_\_\_\_\_

Outdoor unit model CH-HPR48M230VO

Certified **UL** **US LISTED**



**OUTDOOR UNIT DATA**

<b>Power supply</b>			
Normal Operational Voltage	(V, Ph, Hz)	208/230, 1, 60	
Voltage Range	(V)	187-253	
<b>Electrical</b>			
Minimum circuit ampacity	(A)	42.0	
Max.fuse	(A)	50.0	
<b>Outdoor fan motor</b>			
Model	ZKFN-85-8-22-5		
Qty	2		
Input	(W)	126.0	
RLA	(A)	1.0 + 1.0	
Speed	(r/min)	900/850/800/750	

**REFRIGERANT PIPE DATA**

Design pressure	(PSIG)	550/340	
Refrigerant Type	(Oz)	R410A/162	
Refrigerant precharge	(ft)	123.0	
	(m)	37.5	
Additional charge for each ft-	(oz/ft)	0.161	
Additional charge for each ft-	(oz/ft)	0.322	
Liquid side/ Gas side	(inch)	5 x 1/4"/3 x 3/8" + 2 x 1/2"	
	(mm)	x Ø6.35/3 x Ø9.52 + 2 x Ø12.7	
Max. length for all rooms	(ft)	262	
Max. length for one indoor unit	(ft)	115	
Max. height difference between	(ft)	49	
Max. height difference between	(ft)	33	

**OUTDOOR UNIT DATA**

<b>Compressor</b>			
Model	EAPQ420D1UMUA		
Type	ROTARY		
Brand	GMCC		
Capacity	(Btu/h)	44015	
Input	(W)	3565	
Rated current (RLA)	(A)	30.0	
Refrigerant oil/oil charge	(ml)	1460±15ml ESTER OIL VG74	
Throttle	Capillary +EXV		

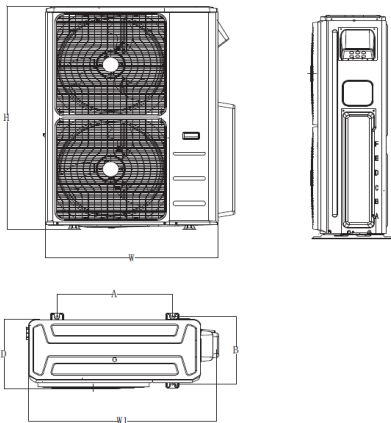
**Air flow & Noise level**

Outdoor air flow (Max.)	(CFM)	4500.00
Outdoor noise level	(dB(A))	65

**Outdoor unit**

Dimension (W×D×H)	(inch)	37.48x16.34x52.48
	(mm)	952x415x1333
Packing (W×D×H)	(inch)	43.11x19.49x58.27
	(mm)	1095x495x1480
Net/ Gross weight	(lbs.)	238.32/269.84
	(kg)	108.1/122.4
<b>Outdoor(cooling/heating)</b>	(Deg. °F)	-22~122/ -22~86
	(Deg. °C)	-30~50/ -30~30

**Outdoor unit dimension**



Unit	W	D	H	W1	A	B
mm	952	415	1333	1060	634	404
inch	37.5	16.3	52.5	41.7	25.0	15.9

**24V INTERFACE KIT**

